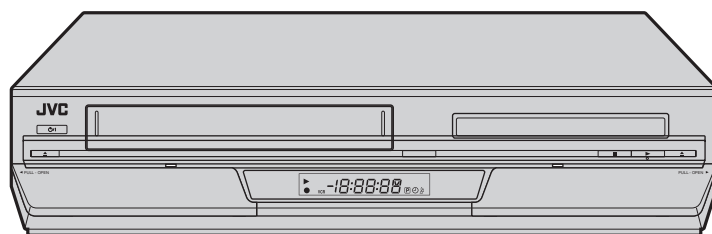


JVC

SERVICE MANUAL

DVD PLAYER & VIDEO CASSETTE RECORDER

HR-XVC34UC



HR-XVC34UC [D3PV0]

For disassembling and assembling of MECHANISM ASSEMBLY, refer to the SERVICE MANUAL No.86700 (MECHANISM ASSEMBLY).
Regarding service information other than these sections, refer to the service manual No. YD008 (HR-XVC26US).
Also, be sure to note important safety precautions provided in the service manual.

TABLE OF CONTENTS

1	PRECAUTION.....	1-3
2	SPECIFIC SERVICE INSTRUCTIONS.....	1-3
3	DISASSEMBLY.....	1-3
4	ADJUSTMENT.....	1-3
5	TROUBLESHOOTING.....	1-3

SPECIFICATION

GENERAL	
Power requirement	AC 120 V, 60 Hz
Power consumption	
Power on	22 W
Power off	2.0 W
Temperature	
Operating	5°C to 40°C (41°F to 104°F)
Storage	-20°C to 60°C (-4°F to 140°F)
Operating position	Horizontal only
Dimensions (W × H × D)	435 mm x 93 mm x 272 mm
Weight	4.1 kg
Format	VHS NTSC standard
Maximum recording time	
(SP)	210 min. with ST-210 video cassette
(EP)	630 min. with ST-210 video cassette
VIDEO/AUDIO (VCR deck)	
Signal system	NTSC color signal and EIA monochrome signal, 525 lines/60 fields
Recording system	DA4 (Double Azimuth) head helical scan system
Signal-to-noise ratio	45 dB
Horizontal resolution	230 lines
Frequency range	70 Hz to 10,000 Hz (Normal audio) 20 Hz to 20,000 Hz (Hi-Fi audio)
Input/Output	RCA connectors: IN × 1, OUT × 1
VIDEO/AUDIO (DVD deck)	
Signal system	NTSC
Applicable disc	DVD (12 cm, 8 cm), CD (12 cm, 8 cm)
Audio characteristics	DVD:4 Hz - 22 KHz
Frequency response	CD:4 Hz - 20 KHz
S/N Ratio	90 dB
Harmonic distortion	0.1%
Wow and flutter	Below Measurable Level
Dynamic range	90 dB
Output	
Component-Y	(RCA) 1.0 Vp-p/75 Ω
Component-PB/PR	(RCA) 0.7 Vp-p/75 Ω
Audio	(RCA) 2 Vrms, 1 KΩ
Digital Audio	(COAXIAL) 0.5 Vp-p/75 Ω
TUNER	
Tuning system	Frequency synthesized tuner
Channel coverage	VHF: Channels 2 - 13, UHF: Channels 14 - 69, CATV: 113 Channels
RF output	Channel 3 or 4 (switchable; preset to Channel 3 when shipped) 75 Ω, unbalanced
TIMER	
Clock reference	Quartz
Program capacity	1-year programmable timer/8 programs
Memory backup time	Approx. 5 seconds
ACCESSORIES	
Provided accessories	RF cable, Infrared remote control unit, "AA" battery × 2

- Specifications shown are for SP mode unless otherwise specified.
- E. & O.E. Design and specifications subject to change without notice.
- Manufactured under license from Dolby Laboratories. "Dolby" and the double-D symbol are trademarks of Dolby Laboratories.
- "DTS" and "DTS 2.0 + Digital Out" are trademarks of Digital Theater Systems, Inc.

SECTION 1 PRECAUTION

Please refer to "HR-XVC26US No.YD008" about this section.

SECTION 2 SPECIFIC SERVICE INSTRUCTIONS

Please refer to "HR-XVC26US No.YD008" about this section except a written item.

2.1 DIFFERENCE LIST

The following table indicates main different points between models HR-XVC26US and HR-XVC34UC.

MODEL	HR-XVC26US	HR-XVC34UC
BODY COLOR	BLACK	PURE SILVER
REMOCON COLOR	BLACK	GRAY
CONNECTOR COVER	NOT USED	USED
ILLUMINATION COLOR	NOT USED	BLUE

SECTION 3 DISASSEMBLY

Please refer to "HR-XVC26US No.YD008" about this section.

SECTION 4 ADJUSTMENT

Please refer to "HR-XVC26US No.YD008" about this section.

SECTION 5 TROUBLESHOOTING

Please refer to "HR-XVC26US No.YD008" about this section.

JVC SERVICE & ENGINEERING COMPANY OF AMERICA
DIVISION OF JVC AMERICAS CORP.

www.jvcservice.com(US Only)

JVC CANADA INC.

Head office : 21 Finchdene Square Scarborough, Ontario M1X 1A7

(416)293-1311

JVC[®]

(No.YD011)

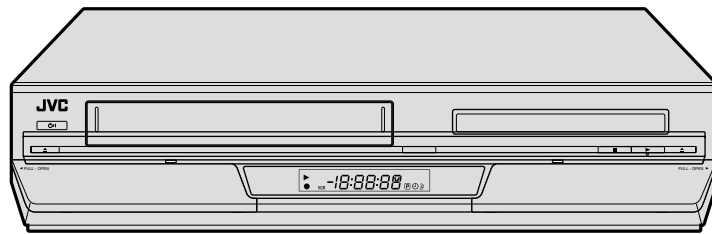
JVC

SCHEMATIC DIAGRAMS

DVD PLAYER & VIDEO CASSETTE RECORDER

HR-XVC34UC

CD-ROM No.SML200405



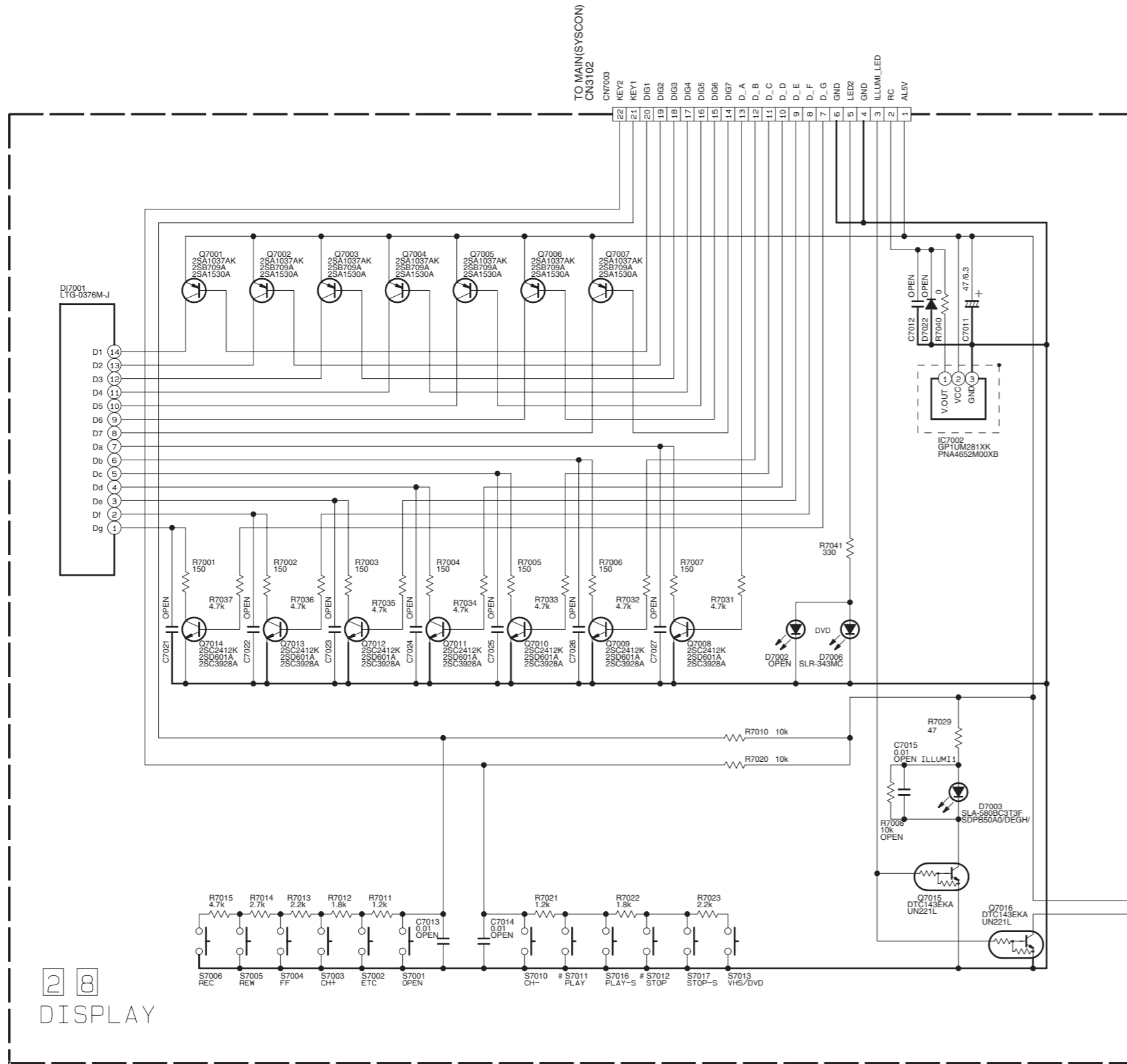
HR-XVC34UC [D3PV0]

For disassembling and assembling of MECHANISM ASSEMBLY, refer to the SERVICE MANUAL No.86700 (MECHANISM ASSEMBLY).
Regarding service information other than these sections, refer to the service manual No. YD008 (HR-XVC26US).
Also, be sure to note important safety precautions provided in the service manual.

CHARTS AND DIAGRAMS

■ DISPLAY AND JACK SCHEMATIC DIAGRAMS

5
4
3
2
1

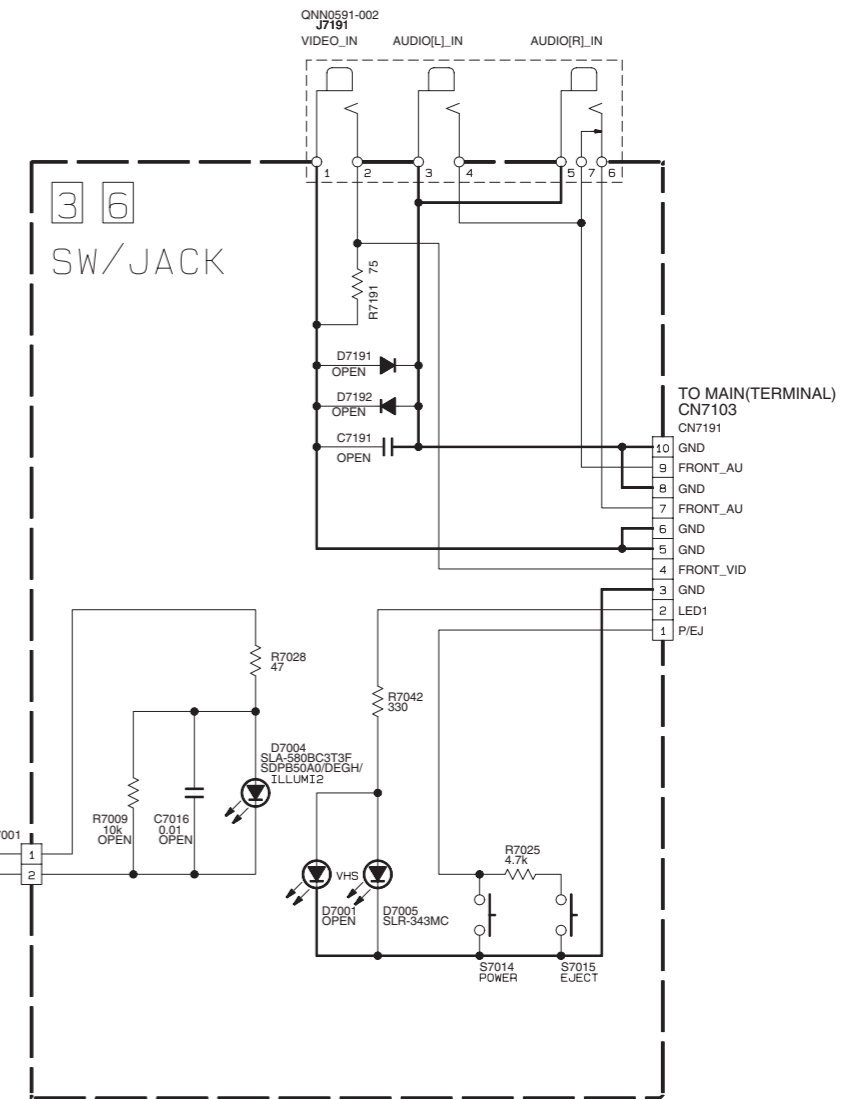


2 8
DISPLAY

: NOT USED.

NOTES: UNLESS OTHERWISE SPECIFIED.
ALL RESISTANCE VALUES ARE IN OHMS.
ALL INDUCTANCE VALUES ARE IN H.
ALL CAPACITANCE VALUES ARE IN μ F.

- ELECTROLYTIC
- CERAMIC
- MYLER
- NON POLAR



A

B

C

D 2-1

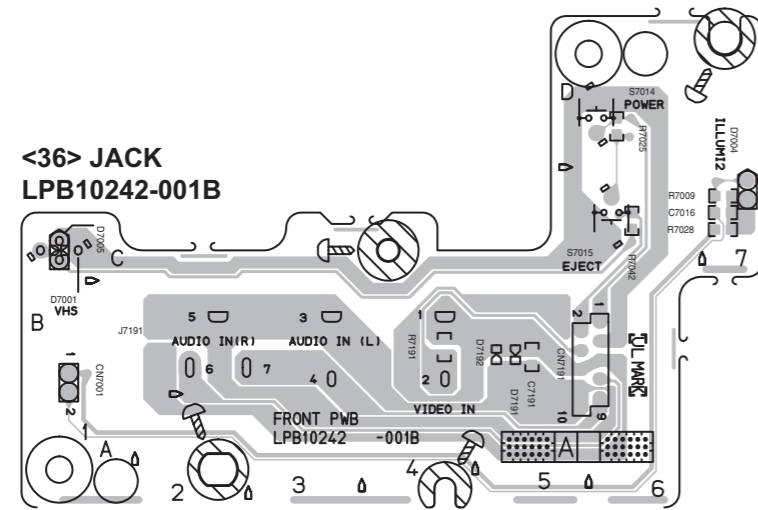
2-2

E

F

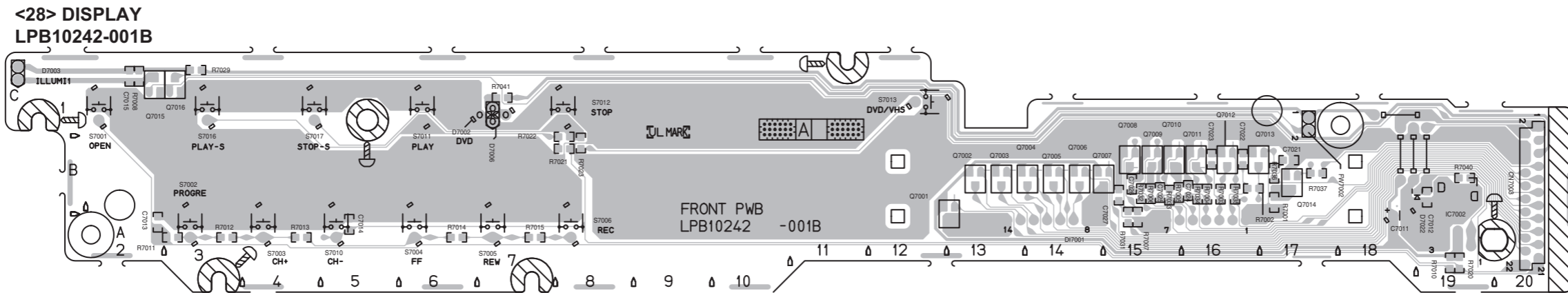
G

■ DISPLAY AND JACK CIRCUIT BOARDS



COMPONENT PARTS LOCATION GUIDE <DISPLAY, JACK> LPB10242-001B

REF.NO.	LOCATION	REF.NO.	LOCATION	REF.NO.	LOCATION	REF.NO.	LOCATION	REF.NO.	LOCATION	REF.NO.	LOCATION
CAPACITOR		CN7191	A D 6B	Q7003	B C 13B	R7004	B C 16B	R7031	B C 15A	S7001	A D 2C
C7011	A D 18A	Q7004	B C 14B	R7005	B C 15B	R7032	B C 15B	S7002	A D 3A		
C7012	B C 19B	DIODE		Q7005	B C 14B	R7006	B C 15B	R7033	B C 15B	S7003	A D 4A
C7013	B C 2A	D7001	A D 1C	Q7006	B C 14B	R7007	B C 15A	R7034	B C 16B	S7004	A D 6A
C7014	B C 5A	D7002	A D 7C	Q7007	B C 15B	R7008	B C 2C	R7035	B C 16B	S7005	A D 7A
C7015	B C 2C	D7003	A D 1C	Q7008	B C 15B	R7009	B C 7C	R7036	B C 17B	S7006	A D 8A
C7016	B C 7C	D7004	A D 7C	Q7009	B C 15B	R7010	B C 19A	R7037	B C 17B	S7010	A D 5A
C7021	B C 17B	D7005	A D 1C	Q7010	B C 15B	R7011	B C 3A	R7040	B C 19B	S7011	A D 6C
C7022	B C 16B	D7006	A D 7C	Q7011	B C 16B	R7012	B C 3A	R7041	B C 7C	S7012	A D 8C
C7023	B C 16B	D7022	B C 19B	Q7012	B C 16B	R7013	B C 4A	R7042	B C 6C	S7013	A D 12C
C7024	B C 16B	D7191	A D 5B	Q7013	B C 16B	R7014	B C 6A	R7191	B C 4B	S7014	A D 6D
C7025	B C 15B	D7192	A D 5B	Q7014	B C 17B	R7015	B C 7A			S7015	A D 6C
C7026	B C 15B			Q7015	B C 2C	R7020	B C 19A	OTHER		S7016	A D 3C
C7027	B C 15B	IC		Q7016	B C 3C	R7021	B C 8B	J7191	A D 3B	S7017	A D 4C
C7191	B C 5B	IC7002	A D 19B			R7022	B C 8B	DI7001	A D 15B		
CONNECTOR		TRANSISTOR		R7001	B C 17B	R7023	B C 8B	FW7002	A D 17C		
CN7001	A D 1B	Q7001	B C 13B	R7002	B C 16B	R7025	B C 6D	PC011	B C ?A		
CN7003	A D 20C	Q7002	B C 13B	R7003	B C 16B	R7028	B C 7C	PC0223	B C 1C		
						R7029	B C 3C	PC0224	B C 1C		





JVC SERVICE & ENGINEERING COMPANY OF AMERICA
DIVISION OF JVC AMERICAS CORP.

www.jvcservice.com(US Only)

JVC CANADA INC.

Head office : 21 Finchdene Square Scarborough, Ontario M1X 1A7

(416)293-1311

JVC[®]

(No.YD011)

PARTS LIST

SAFETY PRECAUTION

Parts identified by the \triangle symbol are critical for safety. Replace only with specified part numbers.

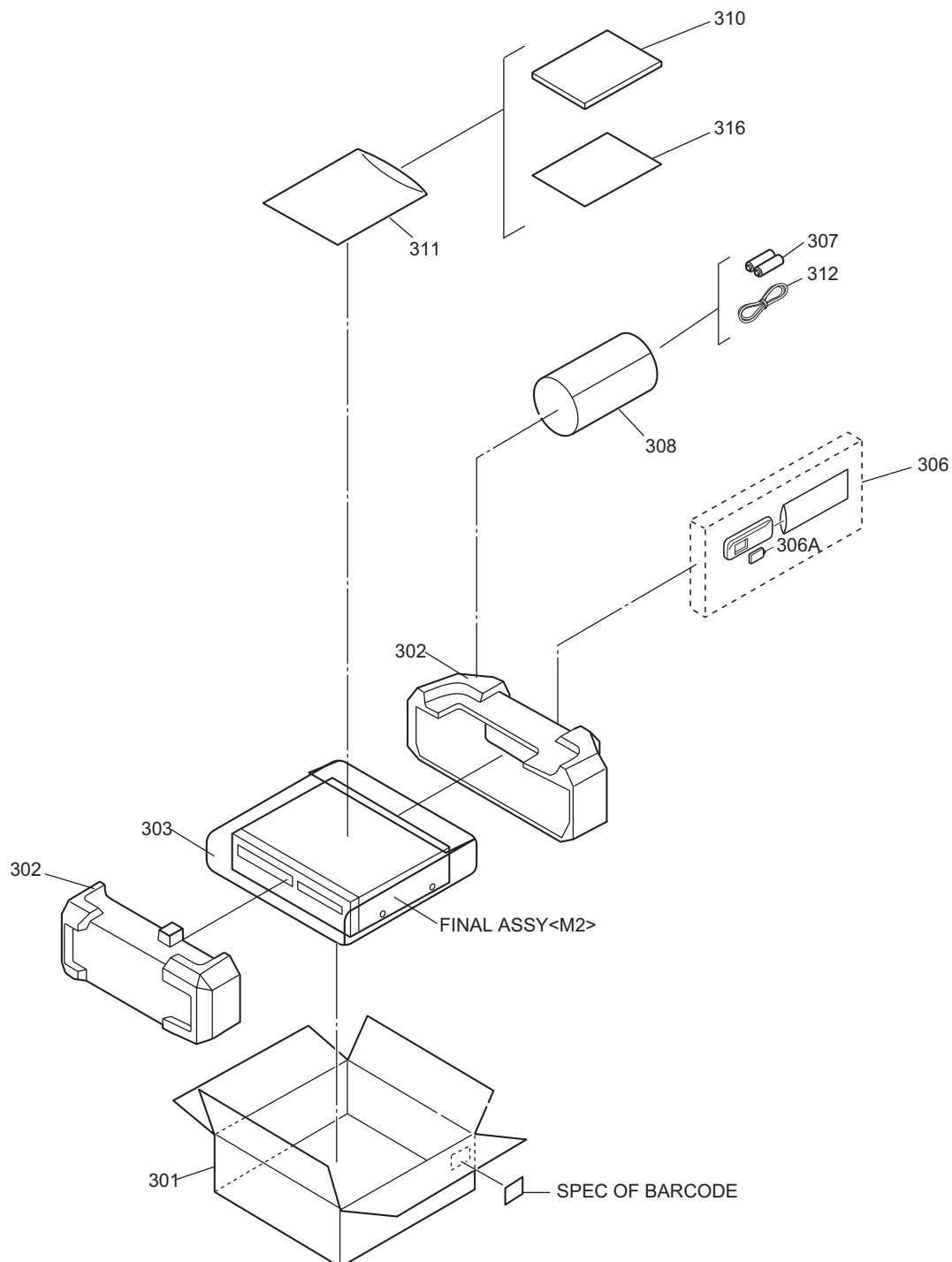
BEWARE OF BOGUS PARTS

Parts that do not meet specifications may cause trouble in regard to safety and performance. We recommend that genuine JVC parts be used.

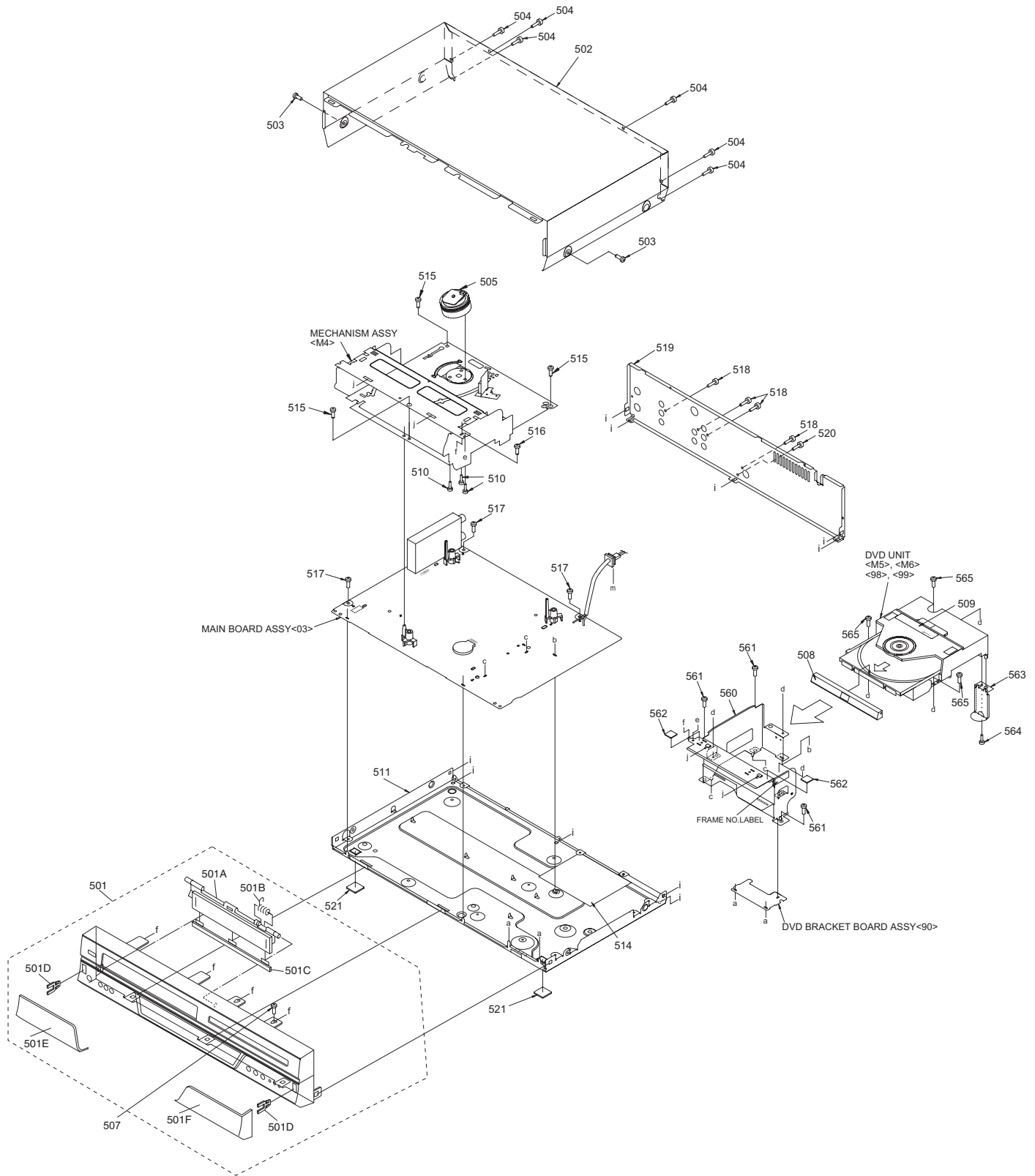
1. EXPLODED VIEW

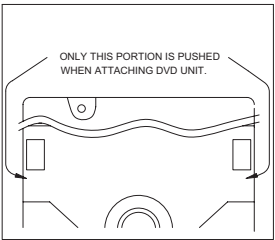
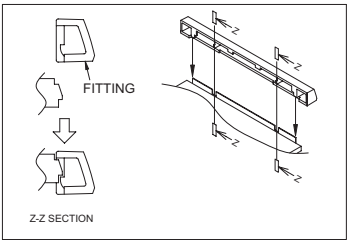
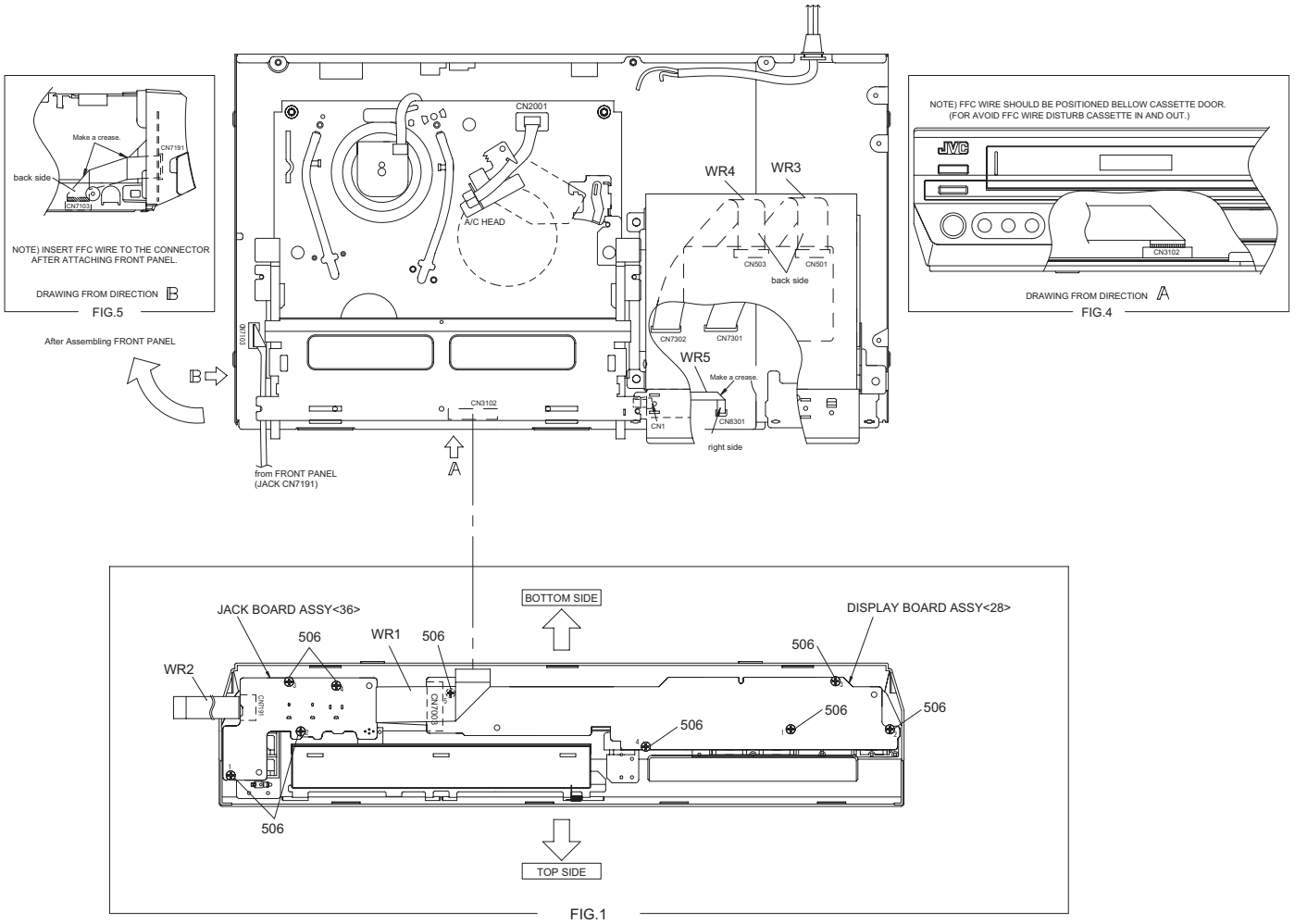
1.1 PACKING AND ACCESSORY ASSEMBLY <M1>

The instruction manual to be provided with this product will differ according to the destination.



1.2 FINAL ASSEMBLY <M2>





2. PARTS LIST

PACKING AND ACCESSORY ASSEMBLY <M1>

△ Symbol No.	Part No.	Part Name	Description	Local
301	LP31263-034A	PACKING CASE		
302	LP31265-001D	CUSHION ASSY		
303	LP41038-001A	POLY BAG		
306	LP21036-039B	REMOCON		
306A	LP40254-009A	COVER(BATTERY)		
307	-----	BATTERY	R6TYPE(x2)	
308	QPC02202230P	POLY BAG	22cm x 22cm	
△ 310	LPT0897-001B	INST.BOOK	(ENGLISH)	
△ 310	LPT0897-002B	INST.BOOK	(FRENCH)	
311	QPC02503530P	POLY BAG	25cm x 35cm	
312	QAM0501-003	RF CABLE		
316	BT-52006-2	WARRANTY CARD		

FINAL ASSEMBLY <M2>

△ Symbol No.	Part No.	Part Name	Description	Local
△ 501	LP10490-020A	FRONT PANEL ASSY		
501A	LP21181-001A	CASSETTE DOOR		
501B	PQ46448	TORSION SPRING		
501C	LP31271-002B	ORNAMENT(C.DR)		
501D	PU60109	CATCHER	(x2)	
501E	LP21191-020A	DOOR(L)		
501F	LP21192-006A	DOOR(R)		
△ 502	LP10488-002B	TOP COVER		
503	QYSBSG3006NA	TAP SCREW	M3 x 6mm TOP SIDE(x2)	
504	QYSBSG3006NA	TAP SCREW	M3 x 6mm TOP REAR(x6)	
505	PDV2531D	DRUM FINAL ASSY		
506	QYTDSEF2608ZA	TAP SCREW	M2.6 x 8mm JACK DISPLAY(x9)	
507	LP31391-001A	SPECIAL SCREW	FRONT PANEL	
508	LP31261-001A	FITTING ASSY		
△ 509	LP41077-002A	LABEL(CAUTION)		
510	QYSPSPD3008ZA	SCREW	M3 x 8mm DRUM(x3)	
△ 511	LP10489-001B	BOTTOM CHASSIS		
514	LP30002-0F1A	SPACER		
515	LP31391-002A	SPECIAL SCREW	MECHANISM(x3)	
516	LP31391-001A	SPECIAL SCREW	HOUSING	
517	LP31391-001A	SPECIAL SCREW	MAIN(x3)	
518	QYTDSEF3008MA	TAP SCREW	M3 x 8mm REAR JACK(x4)	
△ 519	LP21178-016B	REAR COVER		
520	QYSBSG3006MA	TAP SCREW	M3 x 6mm REAR COVER	
521	LP31348-001A	FOOT	(x2)	
560	LP21177-001B	BRACKET(DVD)		
561	LP31391-001A	SPECIAL SCREW	BRACKET(DVD)(x3)	
562	LP30002-0E5A	SPACER	(x2)	
563	LP31392-001A	BRACKET		
564	QYSDSEF2608ZA	TAP SCREW	M2.6 x 8mm DVD	
565	QYSBSG3010ZA	TAP SCREW	M3 x 10mm DVD(x3)	
WR1	QUQ112-2212CG	FFC WIRE	DISPLAY CN7003-MAIN CN3102	
WR2	QUQ112-1010CG	FFC WIRE	JACK CN7191-MAIN CN3103	
WR3	QUQ210-1916CC	FFC WIRE	DVD UNIT CN501-MAIN CN7301	
WR4	QUQ210-1716CC	FFC WIRE	DVD UNIT CN503-MAIN CN7302	
WR5	QUQ210-0510CC	FFC WIRE	DVD UNIT CN1-MAIN CN8301	

MAIN BOARD ASSEMBLY <O3>

△ Symbol No.	Part No.	Part Name	Description	Local
PW1	LPA10227-03C	MAIN BOARD ASSY		
IC1	JCP8060-NVA	IC		
△ IC2201	AN3663FBP	IC		
IC3001	HD6432199RB04F	IC(MCU)	MASK	
IC3002	IC-PST3427U-X	IC		
IC3003	LPN0864-003B-04	IC(EEPROM)	*(REFER TO BELOW)	
IC5201	UTCTL431-T	IC		
IC5201 or	MM1431AT-T	IC		
IC5201 or	L5431-T	IC		

△ Symbol No.	Part No.	Part Name	Description	Local
IC5201 or	TL431/A-T	IC		
IC5301	UTCTL431-T	IC		
IC5302	MM1565AF-X	IC		
IC7102	MM1507XN-X	IC		
IC7104	MM1623XF-X	IC		
IC7501	74VHCT08ASJ-X	IC		
IC8001	HA17558AF-X	IC		
IC8001 or	RC4558D-X	IC		
IC8201	MN101C30AJE	IC(MCU)		
IC8201 or	MN101CP30AJE	IC(MCU)		
IC8202	SN74HCT08APW-X	IC		
IC8301	LB1641	IC		
Q202	2SD601A/QRS/-X	TRANSISTOR		
Q202 or	2SC2412K/QRS/-X	TRANSISTOR		
Q202 or	2SC3928A/QRS/-X	TRANSISTOR		
Q2001	2SD601A/QRS/-X	TRANSISTOR		
Q2001 or	2SC2412K/QRS/-X	TRANSISTOR		
Q2001 or	2SC3928A/QRS/-X	TRANSISTOR		
Q2002	2SD601A/QRS/-X	TRANSISTOR		
Q2002 or	2SC2412K/QRS/-X	TRANSISTOR		
Q2002 or	2SC3928A/QRS/-X	TRANSISTOR		
Q2003	UN211E-X	DIGI TRANSISTOR		
Q2003 or	DTA144WKA-X	TRANSISTOR		
Q2003 or	RT1P44HC-X	DIGI TRANSISTOR		
Q2051	2SD601A/QRS/-X	TRANSISTOR		
Q2051 or	2SC2412K/QRS/-X	TRANSISTOR		
Q2051 or	2SC3928A/QRS/-X	TRANSISTOR		
Q2052	2SB709A/QR/-X	TRANSISTOR		
Q2052 or	2SA1037AK/QR/-X	TRANSISTOR		
Q2052 or	2SA1530A/QR/-X	SI TRANSISTOR		
Q2053	UN221E-X	TRANSISTOR		
Q2053 or	DTC144WKA-X	DIGI TRANSISTOR		
Q2053 or	RT1N44HC-X	DIGI TRANSISTOR		
Q2054	2SB709A/QR/-X	TRANSISTOR		
Q2054 or	2SA1037AK/QR/-X	TRANSISTOR		
Q2054 or	2SA1530A/QR/-X	SI TRANSISTOR		
Q2055	UN221E-X	TRANSISTOR		
Q2055 or	DTC144WKA-X	DIGI TRANSISTOR		
Q2055 or	RT1N44HC-X	DIGI TRANSISTOR		
Q2201	UN211E-X	DIGI TRANSISTOR		
Q2201 or	DTA144WKA-X	TRANSISTOR		
Q2201 or	RT1P44HC-X	DIGI TRANSISTOR		
Q2202	UN221E-X	TRANSISTOR		
Q2202 or	DTC144WKA-X	DIGI TRANSISTOR		
Q2202 or	RT1N44HC-X	DIGI TRANSISTOR		
Q2203	2SD601A/QRS/-X	TRANSISTOR		
Q2203 or	2SC2412K/QRS/-X	TRANSISTOR		
Q2203 or	2SC3928A/QRS/-X	TRANSISTOR		
Q2204	2SD601A/QRS/-X	TRANSISTOR		
Q2204 or	2SC2412K/QRS/-X	TRANSISTOR		
Q2204 or	2SC3928A/QRS/-X	TRANSISTOR		
Q3002	PTZ-NV16A	IC(PHOTO SENSOR)		
Q3004	2SD601A/QRS/-X	TRANSISTOR		
Q3004 or	2SC2412K/QRS/-X	TRANSISTOR		
Q3004 or	2SC3928A/QRS/-X	TRANSISTOR		
Q3005	2SD601A/QRS/-X	TRANSISTOR		
Q3005 or	2SC2412K/QRS/-X	TRANSISTOR		
Q3005 or	2SC3928A/QRS/-X	TRANSISTOR		
Q4001	UN2211-X	TRANSISTOR		
Q4001 or	DTC114EKA-X	TRANSISTOR		
Q4001 or	RT1N141C-X	DIGI TRANSISTOR		
Q5101	2SK2043-CB14	FET		
Q5102	2SC3576-JVC-T	TRANSISTOR		
Q5103	2SB709A/QR/-X	TRANSISTOR		
Q5103 or	2SA1037AK/QR/-X	TRANSISTOR		
Q5103 or	2SA1530A/QR/-X	SI TRANSISTOR		
Q5306	2SD2144S/UVI-T	TRANSISTOR		
Q5307	UN211E-X	DIGI TRANSISTOR		
Q5307 or	DTA144WKA-X	TRANSISTOR		
Q5307 or	RT1P44HC-X	DIGI TRANSISTOR		
Q5309	UN2211-X	TRANSISTOR		
Q5309 or	DTC114EKA-X	TRANSISTOR		
Q5309 or	RT1N141C-X	DIGI TRANSISTOR		
Q5310	2SD1858/QR-T	TRANSISTOR		
Q5311	2SC5739/QP/	TRANSISTOR		
Q5315	2SD1858/QR-T	TRANSISTOR		

*The VCR goes to jig RCU mode after replacing the EEPROM and the VCR does not accept some RCU command.
Therefore please set the VCR to the user RCU mode after replacing the EEPROM.
The method of setting the VCR to the user RCU mode is written on the service manual.

△ Symbol No.	Part No.	Part Name	Description	Local	△ Symbol No.	Part No.	Part Name	Description	Local
Q6030	2SB709A/QR/-X	TRANSISTOR			C1	NDC31HJ-151X	C CAPACITOR	150pF 50V J	
Q6030	or 2SA1037AK/QR/-X	TRANSISTOR			C2	NDC31HJ-330X	C CAPACITOR	33pF 50V J	
Q6030	or 2SA1530A/QR/-X	SI TRANSISTOR			C4	QEKJ1EM-106Z	E CAPACITOR	10uF 25V M	
Q7113	2SA1037AK/QR/-X	TRANSISTOR			C5	NCB31CK-104X	C CAPACITOR	0.1uF 16V K	
Q7113	or 2SB709A/QR/-X	TRANSISTOR			C6	NCB31CK-104X	C CAPACITOR	0.1uF 16V K	
Q7113	or 2SA1530A/QR/-X	SI TRANSISTOR			C7	NCB31CK-104X	C CAPACITOR	0.1uF 16V K	
Q8001	2SD601A/QRS/-X	TRANSISTOR			C8	NCF31AZ-105X	C CAPACITOR	1uF 10V Z	
Q8001	or 2SC2412K/QRS/-X	TRANSISTOR			C9	QEKJ1HM-225Z	E CAPACITOR	2.2uF 50V M	
Q8001	or 2SC3928A/QRS/-X	TRANSISTOR			C11	NCF31AZ-105X	C CAPACITOR	1uF 10V Z	
Q8002	2SD601A/QRS/-X	TRANSISTOR			C12	NCF31AZ-105X	C CAPACITOR	1uF 10V Z	
Q8002	or 2SC2412K/QRS/-X	TRANSISTOR			C14	NCF31AZ-105X	C CAPACITOR	1uF 10V Z	
Q8002	or 2SC3928A/QRS/-X	TRANSISTOR			C15	NCB31CK-104X	C CAPACITOR	0.1uF 16V K	
Q8052	2SD601A/QRS/-X	TRANSISTOR			C17	NCF31EZ-104X	C CAPACITOR	0.1uF 25V Z	
Q8052	or 2SC2412K/QRS/-X	TRANSISTOR			C19	NCB31CK-104X	C CAPACITOR	0.1uF 16V K	
Q8052	or 2SC3928A/QRS/-X	TRANSISTOR			C20	NCB31CK-104X	C CAPACITOR	0.1uF 16V K	
Q8053	UN2111-X	TRANSISTOR			C22	NCF31EZ-104X	C CAPACITOR	0.1uF 25V Z	
Q8053	or DTA114EKA-X	DIGI TRANSISTOR			C24	NCF31EZ-104X	C CAPACITOR	0.1uF 25V Z	
Q8053	or RT1P141C-X	DIGI TRANSISTOR			C25	QEKJ1HM-335Z	E CAPACITOR	3.3uF 50V M	
D201	1SS133-T2	DIODE			C26	QEKJ1EM-106Z	E CAPACITOR	10uF 25V M	
D2001	1SS133-T2	DIODE			C27	NCB31EK-103X	C CAPACITOR	0.01uF 25V K	
D2001	or 1SS270A-T2	SI DIODE			C30	NCB31HK-331X	C CAPACITOR	330pF 50V K	
D2251	1SS133-T2	DIODE			C31	QEKJ0JM-476Z	E CAPACITOR	47uF 6.3V M	
D2251	or 1SS270A-T2	SI DIODE			C33	QEKJ1EM-106Z	E CAPACITOR	10uF 25V M	
D3001	LNB2301L01V1	LED			C34	NCB31EK-103X	C CAPACITOR	0.01uF 25V K	
D3002	1SS133-T2	DIODE			C35	NCB31EK-103X	C CAPACITOR	0.01uF 25V K	
D3002	or 1SS270A-T2	SI DIODE			C36	QEKJ1HM-105Z	E CAPACITOR	1uF 50V M	
D3003	RD33ES/B3/-T2	Z DIODE			C37	NDC31HJ-4R0X	C CAPACITOR	4pF 50V J	
D3003	or MTZJ33C-T2	Z DIODE			C40	NCF31EZ-104X	C CAPACITOR	0.1uF 25V Z	
D3004	10EDB20-T2	SI DIODE			C41	NCB31CK-104X	C CAPACITOR	0.1uF 16V K	
D3004	or 1A3G-T2	SI DIODE			C43	QEKJ1HM-335Z	E CAPACITOR	3.3uF 50V M	
D3005	10EDB20-T2	SI DIODE			C44	QEKJ1HM-225Z	E CAPACITOR	2.2uF 50V M	
D3005	or 1A3G-T2	SI DIODE			C45	NCB31EK-472X	C CAPACITOR	4700pF 25V K	
D4002	1SS133-T2	DIODE			C46	NCB31CK-333X	C CAPACITOR	0.033uF 16V K	
D5001	S1WB/A/60-4102	BRIDGE DIODE			C47	QEKJ1HM-474Z	E CAPACITOR	0.47uF 50V M	
D5001	or S1WB/A/60-X	BRIDGE DIODE			C48	NCB31EK-223X	C CAPACITOR	0.022uF 25V K	
D5101	10EDB20-T2	SI DIODE			C49	QEKJ1HM-475Z	E CAPACITOR	4.7uF 50V M	
D5101	or 1A3G-T2	SI DIODE			C56	NCB31CK-104X	C CAPACITOR	0.1uF 16V K	
D5102	10ERB40-T2	FR DIODE			C57	NCF31EZ-104X	C CAPACITOR	0.1uF 25V Z	
D5102	or AU01-T2	SI DIODE			C58	NCF31EZ-104X	C CAPACITOR	0.1uF 25V Z	
D5103	1SS133-T2	DIODE			C59	NCF31EZ-104X	C CAPACITOR	0.1uF 25V Z	
D5103	or 1SS270A-T2	SI DIODE			C60	NCF31EZ-104X	C CAPACITOR	0.1uF 25V Z	
D5105	1SS133-T2	DIODE			C77	NCF31EZ-104X	C CAPACITOR	0.1uF 25V Z	
D5105	or 1SS270A-T2	SI DIODE			C78	NCF31EZ-104X	C CAPACITOR	0.1uF 25V Z	
D5106	MTZJ33D-T2	Z DIODE			C201	NDC31HJ-220X	C CAPACITOR	22pF 50V J	
D5106	or RD33ES/B4/-T2	Z DIODE			C202	QEKJ1HM-475Z	E CAPACITOR	4.7uF 50V M	
D5208	1S4-T2	SB DIODE			C203	NCB31HK-102X	C CAPACITOR	1000pF 50V K	
D5208	or AW04-T2	SB DIODE			C204	NCB31HK-681X	C CAPACITOR	680pF 50V K	
D5208	or SBO40-T2	SB DIODE			C205	QEKJ1HM-475Z	E CAPACITOR	4.7uF 50V M	
D5209	PG104RS-T2	FR DIODE			C206	NCB31HK-681X	C CAPACITOR	680pF 50V K	
D5209	or 10ERB20-T2	FR DIODE			C207	QEKJ1HM-475Z	E CAPACITOR	4.7uF 50V M	
D5209	or 1F4G-T2	FR DIODE			C209	QEKJ0JM-476Z	E CAPACITOR	47uF 6.3V M	
D5209	or AU01Z-T2	FR DIODE			C210	NCB31EK-103X	C CAPACITOR	0.01uF 25V K	
D5209	or 1SR153-400-T2	FR DIODE			C212	NCF31EZ-104X	C CAPACITOR	0.1uF 25V Z	
D5212	SB240-F26	SB DIODE			C213	NCF31EZ-104X	C CAPACITOR	0.1uF 25V Z	
D5212	or RK14LF-B2	SBD			C2001	QEKJ1HM-475Z	E CAPACITOR	4.7uF 50V M	
D5212	or 21DQ04-F	SBD			C2002	QEKJ1HM-105Z	E CAPACITOR	1uF 50V M	
D5213	1F4G-T2	FR DIODE			C2005	QEKJ1HM-475Z	E CAPACITOR	4.7uF 50V M	
D5213	or 10ERB20-T2	FR DIODE			C2006	NCB31EK-682X	C CAPACITOR	6800pF 25V K	
D5301	MTZJ15C-T2	Z DIODE			C2007	QEKJ1CM-226Z	E CAPACITOR	22uF 16V M	
D5301	or RD15ES/B3/-T2	Z DIODE			C2008	QEKJ1HM-475Z	E CAPACITOR	4.7uF 50V M	
D5305	MTZJ11C-T2	Z DIODE			C2009	NCB31HK-102X	C CAPACITOR	1000pF 50V K	
D5305	or RD11ES/B3/-T2	Z DIODE			C2010	NCB31HK-681X	C CAPACITOR	680pF 50V K	
D5306	MTZJ5.6C-T2	Z DIODE			C2011	QEKJ1HM-475Z	E CAPACITOR	4.7uF 50V M	
D5306	or RD5.6ES/B3/-T2	Z DIODE			C2012	QEKJ1HM-475Z	E CAPACITOR	4.7uF 50V M	
D5310	MTZJ10B-T2	Z DIODE			C2051	NCB31HK-331X	C CAPACITOR	330pF 50V K	
D5310	or RD10ES/B2/-T2	Z DIODE			C2052	QFV61HJ-823Z	MF CAPACITOR	0.082uF 50V J	
D6002	HZ30-2L-T2	Z DIODE			C2053	NCB31HK-472X	C CAPACITOR	4700pF 50V K	
D6002	or HZ30-2LTD	Z DIODE			C2054	NCB31EK-223X	C CAPACITOR	0.022uF 25V K	
D8001	1SS133-T2	DIODE			C2055	QEKJ1EM-106Z	E CAPACITOR	10uF 25V M	
D8001	or 1SS270A-T2	SI DIODE			C2201	QEKJ1EM-106Z	E CAPACITOR	10uF 25V M	
D8301	RD5.1ES/B2/-T2	Z DIODE			C2202	QEKJ1HM-475Z	E CAPACITOR	4.7uF 50V M	
D8301	or MTZJ5.1B-T2	Z DIODE			C2203	QEKJ1HM-475Z	E CAPACITOR	4.7uF 50V M	
PC3001	RPI-304J	IC(PHOTO SENSOR)			C2204	QEKJ0JM-336Z	E CAPACITOR	33uF 6.3V M	
PC3002	RPI-304J	IC(PHOTO SENSOR)			C2205	QEKJ1EM-106Z	E CAPACITOR	10uF 25V M	
△ PC5101	PC123Y22FZ	PHOTO COUPLER			C2206	QEKJ1EM-106Z	E CAPACITOR	10uF 25V M	
					C2207	NCB31EK-153X	C CAPACITOR	0.015uF 25V K	
					C2208	NCB31EK-153X	C CAPACITOR	0.015uF 25V K	
					C2209	QEKJ1EM-106Z	E CAPACITOR	10uF 25V M	

△ Symbol No.	Part No.	Part Name	Description	Local	△ Symbol No.	Part No.	Part Name	Description	Local
C2210	QEKJ1EM-106Z	E CAPACITOR	10uF 25V M		C6501	NCB31CK-104X	C CAPACITOR	0.1uF 16V K	
C2211	QEKJ0JM-336Z	E CAPACITOR	33uF 6.3V M		C6502	QEKJ1EM-106Z	E CAPACITOR	10uF 25V M	
C2212	QEKJ0JM-476Z	E CAPACITOR	47uF 6.3V M		C6503	QEKJ1HM-105Z	E CAPACITOR	1uF 50V M	
C2214	QEKJ1EM-106Z	E CAPACITOR	10uF 25V M		C6504	NCF31EZ-104X	C CAPACITOR	0.1uF 25V Z	
C2215	QEKJ1EM-106Z	E CAPACITOR	10uF 25V M		C6505	QEKJ1HM-335Z	E CAPACITOR	3.3uF 50V M	
C2218	QEKJ1EM-106Z	E CAPACITOR	10uF 25V M		C6508	NCB31EK-223X	C CAPACITOR	0.022uF 25V K	
C2219	QEKJ1CM-226Z	E CAPACITOR	22uF 16V M		C6509	NCB31CK-104X	C CAPACITOR	0.1uF 16V K	
C2220	QEKJ1EM-106Z	E CAPACITOR	10uF 25V M		C6511	NCF31EZ-104X	C CAPACITOR	0.1uF 25V Z	
C2221	NCB31EK-223X	C CAPACITOR	0.022uF 25V K		C6512	NCB31EK-223X	C CAPACITOR	0.022uF 25V K	
C2222	NCF31EZ-104X	C CAPACITOR	0.1uF 25V Z		C6513	QEKJ1HM-225Z	E CAPACITOR	2.2uF 50V M	
C2234	NCB30JK-105X	C CAPACITOR	1uF 6.3V K		C6514	NCB31EK-223X	C CAPACITOR	0.022uF 25V K	
C2235	NCB30JK-105X	C CAPACITOR	1uF 6.3V K		C6515	QEKJ1HM-335Z	E CAPACITOR	3.3uF 50V M	
C2251	NCB31EK-103X	C CAPACITOR	0.01uF 25V K		C6516	QEKJ1EM-475Z	E CAPACITOR	4.7uF 25V M	
C2252	NCB31EK-103X	C CAPACITOR	0.01uF 25V K		C6517	NCB31AK-224X	C CAPACITOR	0.22uF 10V K	
C2253	NCB31EK-103X	C CAPACITOR	0.01uF 25V K		C6532	NCF31EZ-104X	C CAPACITOR	0.1uF 25V Z	
C2254	QEKJ0JM-476Z	E CAPACITOR	47uF 6.3V M		C7114	QETJ0JM-477Z	E CAPACITOR	470uF 6.3V M	
C2255	NCF31EZ-104X	C CAPACITOR	0.1uF 25V Z		C7117	QEKJ1EM-106Z	E CAPACITOR	10uF 25V M	
C2256	NCB31EK-103X	C CAPACITOR	0.01uF 25V K		C7118	QEKJ1EM-106Z	E CAPACITOR	10uF 25V M	
C2257	NCB31EK-103X	C CAPACITOR	0.01uF 25V K		C7119	NCF31EZ-104X	C CAPACITOR	0.1uF 25V Z	
C2259	QEKJ1HM-334Z	E CAPACITOR	0.33uF 50V M		C7120	QETJ0JM-477Z	E CAPACITOR	470uF 6.3V M	
C3011	QETN1AM-477Z	E CAPACITOR	470uF 10V M		C7121	NCB31EK-103X	C CAPACITOR	0.01uF 25V K	
C3012	QEKJ0JM-476Z	E CAPACITOR	47uF 6.3V M		C7123	QETJ0JM-477Z	E CAPACITOR	470uF 6.3V M	
C3014	QEKJ0JM-476Z	E CAPACITOR	47uF 6.3V M		C7124	QETJ0JM-477Z	E CAPACITOR	470uF 6.3V M	
C3016	NCF31EZ-104X	C CAPACITOR	0.1uF 25V Z		C7125	QETJ0JM-477Z	E CAPACITOR	470uF 6.3V M	
C3022	NCF31EZ-104X	C CAPACITOR	0.1uF 25V Z		C7129	NCF31EZ-104X	C CAPACITOR	0.1uF 25V Z	
C3024	NDC31HJ-120X	C CAPACITOR	12pF 50V J		C7131	NCB31EK-103X	C CAPACITOR	0.01uF 25V K	
C3030	QEKJ0JM-476Z	E CAPACITOR	47uF 6.3V M		C7132	NCF31EZ-104X	C CAPACITOR	0.1uF 25V Z	
C3031	NCF31EZ-104X	C CAPACITOR	0.1uF 25V Z		C7133	QEKJ1CM-226Z	E CAPACITOR	22uF 16V M	
C3033	NCF31EZ-104X	C CAPACITOR	0.1uF 25V Z		C7134	NCF31EZ-104X	C CAPACITOR	0.1uF 25V Z	
C3036	NDC31HJ-180X	C CAPACITOR	18pF 50V J		C7135	NCF31AZ-105X	C CAPACITOR	1uF 10V Z	
C3037	NDC31HJ-120X	C CAPACITOR	12pF 50V J		C7136	NCF31AZ-105X	C CAPACITOR	1uF 10V Z	
C3041	NDC31HJ-180X	C CAPACITOR	18pF 50V J		C7502	NCF31EZ-104X	C CAPACITOR	0.1uF 25V Z	
C3045	NCB31EK-103X	C CAPACITOR	0.01uF 25V K		C7503	QEKJ1HM-475Z	E CAPACITOR	4.7uF 50V M	
C3050	NCF31EZ-104X	C CAPACITOR	0.1uF 25V Z		C7504	NDC31HJ-151X	C CAPACITOR	150pF 50V J	
C3052	QEKJ1EM-106Z	E CAPACITOR	10uF 25V M		C8001	QEKJ1CM-226Z	E CAPACITOR	22uF 16V M	
C3054	NCB31HK-222X	C CAPACITOR	2200pF 50V K		C8002	QEKJ1CM-226Z	E CAPACITOR	22uF 16V M	
C3071	QETJ1HM-336Z	E CAPACITOR	33uF 50V M		C8003	NCB31HK-821X	C CAPACITOR	820pF 50V K	
C4002	NCF31EZ-104X	C CAPACITOR	0.1uF 25V Z		C8004	NCB31HK-821X	C CAPACITOR	820pF 50V K	
C4004	QEKJ1CM-226Z	E CAPACITOR	22uF 16V M		C8005	NCB31HK-821X	C CAPACITOR	820pF 50V K	
C4005	NDC31HJ-181X	C CAPACITOR	180pF 50V J		C8006	NCB31HK-821X	C CAPACITOR	820pF 50V K	
C4006	QEKJ0JM-476Z	E CAPACITOR	47uF 6.3V M		C8007	QEKJ1CM-226Z	E CAPACITOR	22uF 16V M	
C4008	QEJ1HM-105Z	E CAPACITOR	1uF 50V M		C8008	QEKJ1CM-226Z	E CAPACITOR	22uF 16V M	
C4009	NRSA63J-0R0X	MG RESISTOR	0Ω 1/16W J		C8052	QEKJ0JM-107Z	E CAPACITOR	100uF 6.3V M	
C4010	NCB31EK-223X	C CAPACITOR	0.022uF 25V K		C8201	QEKJ0JM-476Z	E CAPACITOR	47uF 6.3V M	
C4011	NCB31CK-104X	C CAPACITOR	0.1uF 16V K		C8202	NCF31EZ-104X	C CAPACITOR	0.1uF 25V Z	
C4012	QEKJ1HM-224Z	E CAPACITOR	0.22uF 50V M		C8203	NCF31EZ-104X	C CAPACITOR	0.1uF 25V Z	
C4014	NDC31HJ-101X	C CAPACITOR	100pF 50V J		C8301	QETN1CM-107Z	E CAPACITOR	100uF 16V M	
C4015	NCB31HK-221X	C CAPACITOR	220pF 50V K		C8302	NCB31EK-103X	C CAPACITOR	0.01uF 25V K	
△ C5001	QFZ9077-473	MPP CAPACITOR	0.047uF 275V M		C8303	NCF31EZ-104X	C CAPACITOR	0.1uF 25V Z	
△ C5003	QCZ9079-101	C CAPACITOR	100pF AC250V K		R1	NRSA63J-622X	MG RESISTOR	6.2kΩ 1/16W J	
△ C5004	QCZ9079-472	C CAPACITOR	4700pF AC250V M		R2	NRSA63J-152X	MG RESISTOR	1.5kΩ 1/16W J	
C5006	QETM2DM-157	E CAPACITOR	150uF 200V M		R3	NRSA63J-822X	MG RESISTOR	8.2kΩ 1/16W J	
C5101	QCZ0336-330Z	C CAPACITOR	33pF 1kV J		R11	NRSA63J-472X	MG RESISTOR	4.7kΩ 1/16W J	
C5102	QCZ0333-472	C CAPACITOR	4700pF 1kV K		R12	NRSA63J-102X	MG RESISTOR	1kΩ 1/16W J	
C5104	QETN1HM-105Z	E CAPACITOR	1uF 50V M		R36	NRSA63J-472X	MG RESISTOR	4.7kΩ 1/16W J	
C5106	NCB31HK-821X	C CAPACITOR	820pF 50V K		R37	NRSA63J-103X	MG RESISTOR	10kΩ 1/16W J	
C5108	NCB31HK-104X	C CAPACITOR	0.1uF 50V K		R201	NRSA63J-471X	MG RESISTOR	470Ω 1/16W J	
C5109	NCB31HK-183X	C CAPACITOR	0.018uF 50V K		R202	NRSA63J-103X	MG RESISTOR	10kΩ 1/16W J	
C5202	QEMT1AM-128	E CAPACITOR	1200uF 10V M		R203	NRSA63J-103X	MG RESISTOR	10kΩ 1/16W J	
C5204	QEMT1AM-128	E CAPACITOR	1200uF 10V M		R204	NRSA63J-474X	MG RESISTOR	470kΩ 1/16W J	
C5205	QEMU1CM-397Z	E CAPACITOR	390uF 16V M		R205	NRSA63J-301X	MG RESISTOR	300Ω 1/16W J	
C5207	QETN2AM-475Z	E CAPACITOR	4.7uF 100V M		R206	NRSA63J-474X	MG RESISTOR	470kΩ 1/16W J	
C5209	QETN1AM-107Z	E CAPACITOR	100uF 10V M		R210	NRSA63J-0R0X	MG RESISTOR	0Ω 1/16W J	
C5210	QETN1CM-107Z	E CAPACITOR	100uF 16V M		R212	NRSA63J-471X	MG RESISTOR	470Ω 1/16W J	
C5211	QETN1AM-107Z	E CAPACITOR	100uF 10V M		R2007	NRSA63J-123X	MG RESISTOR	12kΩ 1/16W J	
C5214	NCB31AK-154X	C CAPACITOR	0.15uF 10V K		R2010	NRSA63J-123X	MG RESISTOR	12kΩ 1/16W J	
C5303	QETN1HM-225Z	E CAPACITOR	2.2uF 50V M		R2013	NRSA63J-123X	MG RESISTOR	12kΩ 1/16W J	
C5304	QETN1CM-107Z	E CAPACITOR	100uF 16V M		R2014	NRSA63J-394X	MG RESISTOR	390kΩ 1/16W J	
C5305	QETN1AM-107Z	E CAPACITOR	100uF 10V M		R2015	NRSA63J-271X	MG RESISTOR	270Ω 1/16W J	
C5306	NCF31AZ-105X	C CAPACITOR	1uF 10V Z		R2016	NRSA63J-333X	MG RESISTOR	33kΩ 1/16W J	
C5307	NCB31HK-471X	C CAPACITOR	470pF 50V K		R2017	NRSA63J-223X	MG RESISTOR	22kΩ 1/16W J	
C5309	QETN1AM-107Z	E CAPACITOR	100uF 10V M		R2018	NRSA63J-472X	MG RESISTOR	4.7kΩ 1/16W J	
C5310	QETN1AM-107Z	E CAPACITOR	100uF 10V M		R2019	NRSA63J-472X	MG RESISTOR	4.7kΩ 1/16W J	
C5314	QETN1CM-107Z	E CAPACITOR	100uF 16V M		R2021	NRSA63J-333X	MG RESISTOR	33kΩ 1/16W J	
C6013	NCB31HK-102X	C CAPACITOR	1000pF 50V K		R2022	NRSA63J-103X	MG RESISTOR	10kΩ 1/16W J	
C6021	NCB31HK-331X	C CAPACITOR	330pF 50V K		R2023	QRE141J-103Y	C RESISTOR	10kΩ 1/4W J	
C6053	NDC31HJ-120X	C CAPACITOR	12pF 50V J		R2024	NRSA63J-103X	MG RESISTOR	10kΩ 1/16W J	
C6054	NDC31HJ-100X	C CAPACITOR	10pF 50V J						

△ Symbol No.	Part No.	Part Name	Description	Local	△ Symbol No.	Part No.	Part Name	Description	Local
R2053	NRSA63J-103X	MG RESISTOR	10kΩ 1/16W J		R3224	NRSA63J-332X	MG RESISTOR	3.3kΩ 1/16W J	
R2054	NRSA63J-123X	MG RESISTOR	12kΩ 1/16W J		R3225	NRSA63J-103X	MG RESISTOR	10kΩ 1/16W J	
R2055	NRSA63J-3R3X	MG RESISTOR	3.3Ω 1/16W J		R3229	NRSA63J-105X	MG RESISTOR	1MΩ 1/16W J	
R2056	QRE141J-820Y	C RESISTOR	82Ω 1/4W J		R3234	NRSA63J-473X	MG RESISTOR	47kΩ 1/16W J	
R2057	NRSA63J-473X	MG RESISTOR	47kΩ 1/16W J		R3235	QRE141J-332Y	C RESISTOR	3.3kΩ 1/4W J	
R2058	NRSA63J-183X	MG RESISTOR	18kΩ 1/16W J		R3236	QRE141J-332Y	C RESISTOR	3.3kΩ 1/4W J	
R2059	NRSA63J-473X	MG RESISTOR	47kΩ 1/16W J		R3244	NRSA63J-333X	MG RESISTOR	33kΩ 1/16W J	
R2060	NRSA63J-183X	MG RESISTOR	18kΩ 1/16W J		R3246	NRSA63J-103X	MG RESISTOR	10kΩ 1/16W J	
R2201	NRSA63J-473X	MG RESISTOR	47kΩ 1/16W J		R3248	NRSA63J-472X	MG RESISTOR	4.7kΩ 1/16W J	
R2202	NRSA63J-682X	MG RESISTOR	6.8kΩ 1/16W J		R3256	NRSA63J-222X	MG RESISTOR	2.2kΩ 1/16W J	
R2205	NRSA63J-473X	MG RESISTOR	47kΩ 1/16W J		R4001	NRSA63J-472X	MG RESISTOR	4.7kΩ 1/16W J	
R2206	NRSA63J-682X	MG RESISTOR	6.8kΩ 1/16W J		R4003	NRSA63J-561X	MG RESISTOR	560Ω 1/16W J	
R2209	QRE141J-101Y	C RESISTOR	100Ω 1/4W J		R4004	NRSA63J-561X	MG RESISTOR	560Ω 1/16W J	
R2210	NRSA63J-472X	MG RESISTOR	4.7kΩ 1/16W J		R4005	NRSA63J-562X	MG RESISTOR	5.6kΩ 1/16W J	
R2211	NRSA63J-332X	MG RESISTOR	3.3kΩ 1/16W J		R4007	NRSA63J-102X	MG RESISTOR	1kΩ 1/16W J	
R2212	NRSA63J-332X	MG RESISTOR	3.3kΩ 1/16W J		R4009	NRSA63J-102X	MG RESISTOR	1kΩ 1/16W J	
R2213	NRSA63J-472X	MG RESISTOR	4.7kΩ 1/16W J		R4012	NRSA63J-222X	MG RESISTOR	2.2kΩ 1/16W J	
R2214	QRE141J-101Y	C RESISTOR	100Ω 1/4W J		R4015	NRSA63J-223X	MG RESISTOR	22kΩ 1/16W J	
R2216	NRSA63J-0R0X	MG RESISTOR	0Ω 1/16W J		R4017	NRSA63J-102X	MG RESISTOR	1kΩ 1/16W J	
R2218	NRSA63J-392X	MG RESISTOR	3.9kΩ 1/16W J		△ R5001	QRZ9046-475Z	C RESISTOR	4.7MΩ 1/2W K	
R2219	NRSA63J-102X	MG RESISTOR	1kΩ 1/16W J		R5101	QRE141J-224Y	C RESISTOR	220kΩ 1/4W J	
R2220	NRSA63J-102X	MG RESISTOR	1kΩ 1/16W J		R5102	QRE141J-224Y	C RESISTOR	220kΩ 1/4W J	
R2221	NRSA63J-392X	MG RESISTOR	3.9kΩ 1/16W J		R5103	QRE141J-683Y	C RESISTOR	68kΩ 1/4W J	
R2222	NRSA63J-392X	MG RESISTOR	3.9kΩ 1/16W J		R5104	QRG02GJ-683	OMF RESISTOR	68kΩ 2W J	
R2223	NRSA63J-561X	MG RESISTOR	560Ω 1/16W J		R5106	QRT01DJ-R27X	MF RESISTOR	0.27Ω 1W J	
R2224	NRSA63J-561X	MG RESISTOR	560Ω 1/16W J		R5107	QRE121J-331Y	C RESISTOR	330Ω 1/2W J	
R2230	NRSA63J-471X	MG RESISTOR	470Ω 1/16W J		R5108	NRSA63J-152X	MG RESISTOR	1.5kΩ 1/16W J	
R2231	NRSA63J-471X	MG RESISTOR	470Ω 1/16W J		R5109	NRSA63J-681X	MG RESISTOR	680Ω 1/16W J	
R2251	NRSA63J-472X	MG RESISTOR	4.7kΩ 1/16W J		R5110	NRSA63J-224X	MG RESISTOR	220kΩ 1/16W J	
R2252	NRSA63J-332X	MG RESISTOR	3.3kΩ 1/16W J		R5111	NRSA63J-101X	MG RESISTOR	100Ω 1/16W J	
R2255	NRSA63J-273X	MG RESISTOR	27kΩ 1/16W J		R5112	NRSA63J-221X	MG RESISTOR	220Ω 1/16W J	
R2257	NRSA63J-684X	MG RESISTOR	680kΩ 1/16W J		R5113	NRSA63J-104X	MG RESISTOR	100kΩ 1/16W J	
R3033	QRE141J-472Y	C RESISTOR	4.7kΩ 1/4W J		R5201	NRSA63J-221X	MG RESISTOR	220Ω 1/16W J	
R3034	QRE141J-472Y	C RESISTOR	4.7kΩ 1/4W J		R5202	NRSA63J-102X	MG RESISTOR	1kΩ 1/16W J	
R3043	NRSA63J-102X	MG RESISTOR	1kΩ 1/16W J		R5203	NRSA63J-102X	MG RESISTOR	1kΩ 1/16W J	
R3045	NRSA63J-102X	MG RESISTOR	1kΩ 1/16W J		R5204	NRSA63J-332X	MG RESISTOR	3.3kΩ 1/16W J	
R3046	NRSA63J-102X	MG RESISTOR	1kΩ 1/16W J		R5205	NRSA63J-123X	MG RESISTOR	12kΩ 1/16W J	
R3047	NRSA63J-102X	MG RESISTOR	1kΩ 1/16W J		R5206	NRSA63J-332X	MG RESISTOR	3.3kΩ 1/16W J	
R3048	NRSA63J-331X	MG RESISTOR	330Ω 1/16W J		R5311	NRSA63J-103X	MG RESISTOR	10kΩ 1/16W J	
R3049	NRSA63J-331X	MG RESISTOR	330Ω 1/16W J		R5312	NRSA63J-102X	MG RESISTOR	1kΩ 1/16W J	
R3051	NRSA63J-102X	MG RESISTOR	1kΩ 1/16W J		R5313	NRSA63J-122X	MG RESISTOR	1.2kΩ 1/16W J	
R3052	NRSA63J-102X	MG RESISTOR	1kΩ 1/16W J		R5316	QRE141J-181Y	C RESISTOR	180Ω 1/4W J	
R3053	NRSA63J-102X	MG RESISTOR	1kΩ 1/16W J		R5317	NRSA63J-473X	MG RESISTOR	47kΩ 1/16W J	
R3054	NRSA63J-102X	MG RESISTOR	1kΩ 1/16W J		R5319	NRSA63J-560X	MG RESISTOR	56Ω 1/16W J	
R3058	NRSA63J-472X	MG RESISTOR	4.7kΩ 1/16W J		R5320	NRSA63J-153X	MG RESISTOR	15kΩ 1/16W J	
R3061	QRE141J-331Y	C RESISTOR	330Ω 1/4W J		R5321	NRSA63J-473X	MG RESISTOR	47kΩ 1/16W J	
R3062	QRE141J-331Y	C RESISTOR	330Ω 1/4W J		R5325	NRSA63J-101X	MG RESISTOR	100Ω 1/16W J	
R3063	NRSA63J-102X	MG RESISTOR	1kΩ 1/16W J		R6020	NRSA63J-102X	MG RESISTOR	1kΩ 1/16W J	
R3064	NRSA63J-102X	MG RESISTOR	1kΩ 1/16W J		R6021	NRSA63J-102X	MG RESISTOR	1kΩ 1/16W J	
R3065	NRSA63J-271X	MG RESISTOR	270Ω 1/16W J		R6030	NRSA63J-332X	MG RESISTOR	3.3kΩ 1/16W J	
R3069	QRE141J-102Y	C RESISTOR	1kΩ 1/4W J		R6031	NRSA63J-101X	MG RESISTOR	100Ω 1/16W J	
R3074	NRSA63J-103X	MG RESISTOR	10kΩ 1/16W J		R6050	NRSA63J-0R0X	MG RESISTOR	0Ω 1/16W J	
R3077	NRSA63J-102X	MG RESISTOR	1kΩ 1/16W J		R6051	QRE141J-102Y	C RESISTOR	1kΩ 1/4W J	
R3080	NRSA63J-101X	MG RESISTOR	100Ω 1/16W J		R6054	NRSA63J-122X	MG RESISTOR	1.2kΩ 1/16W J	
R3082	NRSA63J-102X	MG RESISTOR	1kΩ 1/16W J		R6055	NRSA63J-472X	MG RESISTOR	4.7kΩ 1/16W J	
R3085	NRSA63J-182X	MG RESISTOR	1.8kΩ 1/16W J		R6502	NRSA63J-332X	MG RESISTOR	3.3kΩ 1/16W J	
R3098	QRE141J-102Y	C RESISTOR	1kΩ 1/4W J		R7134	NRSA63J-750X	MG RESISTOR	75Ω 1/16W J	
R3099	NRSA63J-102X	MG RESISTOR	1kΩ 1/16W J		R7135	NRSA63J-221X	MG RESISTOR	220Ω 1/16W J	
R3101	NRSA63J-472X	MG RESISTOR	4.7kΩ 1/16W J		R7137	NRSA63J-221X	MG RESISTOR	220Ω 1/16W J	
R3201	NRSA63J-103X	MG RESISTOR	10kΩ 1/16W J		R7154	QRE141J-750Y	C RESISTOR	75Ω 1/4W J	
R3202	NRSA63J-393X	MG RESISTOR	39kΩ 1/16W J		R7155	NRSA63J-750X	MG RESISTOR	75Ω 1/16W J	
R3205	QRE141J-181Y	C RESISTOR	180Ω 1/4W J		R7156	NRSA63J-103X	MG RESISTOR	10kΩ 1/16W J	
R3207	QRE141J-183Y	C RESISTOR	18kΩ 1/4W J		R7164	QRE141J-750Y	C RESISTOR	75Ω 1/4W J	
R3208	NRSA63J-121X	MG RESISTOR	120Ω 1/16W J		R7165	QRE141J-750Y	C RESISTOR	75Ω 1/4W J	
R3209	NRSA63J-183X	MG RESISTOR	18kΩ 1/16W J		R7166	QRE141J-750Y	C RESISTOR	75Ω 1/4W J	
R3210	NRSA63J-121X	MG RESISTOR	120Ω 1/16W J		R7173	NRSA63J-181X	MG RESISTOR	180Ω 1/16W J	
R3211	NRSA63J-183X	MG RESISTOR	18kΩ 1/16W J		R7174	NRSA63J-222X	MG RESISTOR	2.2kΩ 1/16W J	
R3212	QRE141J-474Y	C RESISTOR	470kΩ 1/4W J		R7175	NRSA63J-181X	MG RESISTOR	180Ω 1/16W J	
R3213	NRSA63J-334X	MG RESISTOR	330kΩ 1/16W J		R7176	NRSA63J-222X	MG RESISTOR	2.2kΩ 1/16W J	
R3214	NRSA63J-103X	MG RESISTOR	10kΩ 1/16W J		R7177	NRSA63J-820X	MG RESISTOR	82Ω 1/16W J	
R3215	NRSA63J-103X	MG RESISTOR	10kΩ 1/16W J		R7179	NRSA63J-820X	MG RESISTOR	82Ω 1/16W J	
R3216	NRSA63J-103X	MG RESISTOR	10kΩ 1/16W J		R7183	NRSA63J-181X	MG RESISTOR	180Ω 1/16W J	
R3217	NRSA63J-103X	MG RESISTOR	10kΩ 1/16W J		R7184	NRSA63J-222X	MG RESISTOR	2.2kΩ 1/16W J	
R3218	NRSA63J-472X	MG RESISTOR	4.7kΩ 1/16W J		R7501	NRSA02J-100X	MG RESISTOR	10Ω 1/10W J	
R3219	NRSA63J-472X	MG RESISTOR	4.7kΩ 1/16W J		R7502	NRSA63J-301X	MG RESISTOR	300Ω 1/16W J	
R3220	QRE141J-104Y	C RESISTOR	100kΩ 1/4W J		R7503	NRSA63J-301X	MG RESISTOR	300Ω 1/16W J	
R3222	NRSA63J-103X	MG RESISTOR	10kΩ 1/16W J		R7504	NRSA63J-820X	MG RESISTOR	82Ω 1/16W J	
R3223	NRSA63J-332X	MG RESISTOR	3.3kΩ 1/16W J		R7506	NRSA63J-330X	MG RESISTOR	33Ω 1/16W J	

△ Symbol No.	Part No.	Part Name	Description	Local	△ Symbol No.	Part No.	Part Name	Description	Local
R8001	NRSA63J-472X	MG RESISTOR	4.7kΩ 1/16W J		CN8301	QGF1016C3-05	CONNECTOR	FFC/FPC (1-5)	
R8002	NRSA63J-472X	MG RESISTOR	4.7kΩ 1/16W J		△ CP3002	NMFZ012-1R0X-M	FUSE	1A 50V	
R8003	NRSA63J-102X	MG RESISTOR	1kΩ 1/16W J		△ CP3101	NMFZ012-1R0X-M	FUSE	1A 50V	
R8004	NRSA63J-102X	MG RESISTOR	1kΩ 1/16W J		△ CP4002	NMFZ012-1R0X-M	FUSE	1A 50V	
R8005	NRSA63J-272X	MG RESISTOR	2.7kΩ 1/16W J		△ CP5303	NMFZ012-1R0X-M	FUSE	1A 50V	
R8006	NRSA63J-272X	MG RESISTOR	2.7kΩ 1/16W J		△ CP5304	NMFZ012-1R0X-M	FUSE	1A 50V	
R8007	NRSA63J-332X	MG RESISTOR	3.3kΩ 1/16W J		△ F5001	QMF51N2-1R25-J1	FUSE	1.25A AC250V	
R8008	NRSA63J-332X	MG RESISTOR	3.3kΩ 1/16W J		FC5001	QNG0020-001Z	FUSE CLIP		
R8009	NRSA63J-392X	MG RESISTOR	3.9kΩ 1/16W J		FC5002	QNG0020-001Z	FUSE CLIP		
R8010	NRSA63J-392X	MG RESISTOR	3.9kΩ 1/16W J		HS1	LP40090-001A	HEAT SINK		
R8013	NRSA63J-273X	MG RESISTOR	27kΩ 1/16W J		J7002	QNN0586-001	PIN JACK	A/V IN OUT	
R8014	NRSA63J-273X	MG RESISTOR	27kΩ 1/16W J		J7004	QNZ0652-001	AV JACK	DVD/VCR OUT	
R8015	NRSA63J-821X	MG RESISTOR	820Ω 1/16W J		J7005	QNN0587-002	PIN JACK	COMPONENT VIDEO OUT	
R8016	NRSA63J-821X	MG RESISTOR	820Ω 1/16W J		J7009	QNN0347-001	SURROUND JACK	COAX OUT	
R8017	NRSA63J-103X	MG RESISTOR	10kΩ 1/16W J		JS3001	QSW0954-003	ROTARY ENCODER		
R8018	NRSA63J-103X	MG RESISTOR	10kΩ 1/16W J		K5101	QQR0678-001Z	FERRITE BEADS		
R8052	NRSA63J-562X	MG RESISTOR	5.6kΩ 1/16W J		△ LF5002	QQR0932-001	LINE FILTER		
R8053	NRSA63J-562X	MG RESISTOR	5.6kΩ 1/16W J		OT1	LP31158-001A	BOSS(MECHA) 1		
R8054	NRSA63J-473X	MG RESISTOR	47kΩ 1/16W J		OT2	LP31185-001A	BOSS(MECHA) 2	(x2)	
R8055	NRSA63J-473X	MG RESISTOR	47kΩ 1/16W J		OT3	QYTDST3006Z	TAP SCREW	3mm x 6mm Q5101	
R8201	NRSA63J-182X	MG RESISTOR	1.8kΩ 1/16W J		S3001	QSW0602-004	PUSH SWITCH	REC.SAFETY	
R8202	NRSA63J-182X	MG RESISTOR	1.8kΩ 1/16W J		SD1	LP31179-001A	SHILD PLATE(PRE/REC)		
R8203	NRSA63J-182X	MG RESISTOR	1.8kΩ 1/16W J		TU6001	QAU00336-001	TUNER		
R8204	NRSA63J-473X	MG RESISTOR	47kΩ 1/16W J		△ VA5001	QAF0039-431Z	VARISTOR	430V	
R8205	NRSA63J-103X	MG RESISTOR	10kΩ 1/16W J		W2	NRSA63J-0R0X	MG RESISTOR	0Ω 1/16W J	
R8206	NRSA63J-103X	MG RESISTOR	10kΩ 1/16W J		W3	NRSA63J-0R0X	MG RESISTOR	0Ω 1/16W J	
R8207	NRSA63J-103X	MG RESISTOR	10kΩ 1/16W J		W4	NRSA63J-0R0X	MG RESISTOR	0Ω 1/16W J	
R8214	NRSA63J-102X	MG RESISTOR	1kΩ 1/16W J		W5	NRSA63J-0R0X	MG RESISTOR	0Ω 1/16W J	
R8215	NRSA63J-102X	MG RESISTOR	1kΩ 1/16W J		W6	NRSA63J-0R0X	MG RESISTOR	0Ω 1/16W J	
R8216	NRSA63J-102X	MG RESISTOR	1kΩ 1/16W J		W7	NRSA63J-0R0X	MG RESISTOR	0Ω 1/16W J	
R8217	NRSA63J-102X	MG RESISTOR	1kΩ 1/16W J		W8	NRSA63J-0R0X	MG RESISTOR	0Ω 1/16W J	
R8221	NRSA63J-102X	MG RESISTOR	1kΩ 1/16W J		W9	NRSA63J-0R0X	MG RESISTOR	0Ω 1/16W J	
R8222	NRSA63J-102X	MG RESISTOR	1kΩ 1/16W J		W11	NRSA63J-0R0X	MG RESISTOR	0Ω 1/16W J	
R8223	NRSA63J-102X	MG RESISTOR	1kΩ 1/16W J		W12	NRSA63J-0R0X	MG RESISTOR	0Ω 1/16W J	
R8227	NRSA63J-102X	MG RESISTOR	1kΩ 1/16W J		W13	NRSA63J-0R0X	MG RESISTOR	0Ω 1/16W J	
R8250	NRSA63J-222X	MG RESISTOR	2.2kΩ 1/16W J		W14	NRSA63J-0R0X	MG RESISTOR	0Ω 1/16W J	
R8251	NRSA63J-222X	MG RESISTOR	2.2kΩ 1/16W J		W15	NRSA63J-0R0X	MG RESISTOR	0Ω 1/16W J	
R8252	NRSA63J-222X	MG RESISTOR	2.2kΩ 1/16W J		W18	NRSA63J-0R0X	MG RESISTOR	0Ω 1/16W J	
R8259	NRSA63J-0R0X	MG RESISTOR	0Ω 1/16W J		W20	NRSA63J-0R0X	MG RESISTOR	0Ω 1/16W J	
R8260	NRSA63J-0R0X	MG RESISTOR	0Ω 1/16W J		W22	NRSA63J-0R0X	MG RESISTOR	0Ω 1/16W J	
R8262	NRSA63J-222X	MG RESISTOR	2.2kΩ 1/16W J		W23	NRSA63J-0R0X	MG RESISTOR	0Ω 1/16W J	
R8263	NRSA63J-222X	MG RESISTOR	2.2kΩ 1/16W J		W24	NRSA63J-0R0X	MG RESISTOR	0Ω 1/16W J	
R8301	QRE141J-4R7Y	C RESISTOR	4.7Ω 1/4W J		W25	NRSA63J-0R0X	MG RESISTOR	0Ω 1/16W J	
					W26	NRSA63J-0R0X	MG RESISTOR	0Ω 1/16W J	
L5	QQL29BJ-100Z	P COIL	0.40Ω 10uH J		W27	NRSA63J-0R0X	MG RESISTOR	0Ω 1/16W J	
L7	QQL071J-120Y	COIL	1.50Ω 12uH J		W28	NRSA63J-0R0X	MG RESISTOR	0Ω 1/16W J	
L10	QQL29BJ-100Z	P COIL	0.40Ω 10uH J		W29	NRSA63J-0R0X	MG RESISTOR	0Ω 1/16W J	
L201	QQL231J-150Y	COIL	2.50Ω 15uH J		W30	NRSA63J-0R0X	MG RESISTOR	0Ω 1/16W J	
L2251	QQL29BJ-100Z	P COIL	0.40Ω 10uH J		W31	NRSA63J-0R0X	MG RESISTOR	0Ω 1/16W J	
L4001	QQL231K-1R0Y	COIL	0.80Ω 1uH K		W32	NRSA63J-0R0X	MG RESISTOR	0Ω 1/16W J	
L5201	PELN1184	CHOKE COIL			W33	NRSA63J-0R0X	MG RESISTOR	0Ω 1/16W J	
L5202	PELN1184	CHOKE COIL			W34	NRSA63J-0R0X	MG RESISTOR	0Ω 1/16W J	
L5203	PELN1184	CHOKE COIL			W35	NRSA63J-0R0X	MG RESISTOR	0Ω 1/16W J	
L5303	QQL231J-220Y	COIL	3.4Ω 22uH J		W36	NRSA63J-0R0X	MG RESISTOR	0Ω 1/16W J	
L7101	QQL29BJ-100Z	P COIL	0.40Ω 10uH J		W37	NRSA63J-0R0X	MG RESISTOR	0Ω 1/16W J	
L7103	QQL29BJ-100Z	P COIL	0.40Ω 10uH J		W39	NRSA63J-0R0X	MG RESISTOR	0Ω 1/16W J	
L7501	QQL231K-1R0Y	COIL	0.80Ω 1uH K		W40	NRSA63J-0R0X	MG RESISTOR	0Ω 1/16W J	
T2051	PELN0832	OSC TRANS			W42	NRSA63J-0R0X	MG RESISTOR	0Ω 1/16W J	
△ T5001	QQS0219-001	SW TRANSF			W44	NRSA63J-0R0X	MG RESISTOR	0Ω 1/16W J	
					W45	NRSA63J-0R0X	MG RESISTOR	0Ω 1/16W J	
B10	NRSA63J-0R0X	MG RESISTOR	0Ω 1/16W J		W48	NRSA63J-0R0X	MG RESISTOR	0Ω 1/16W J	
B3003	NRSA63J-0R0X	MG RESISTOR	0Ω 1/16W J		W49	NRSA63J-0R0X	MG RESISTOR	0Ω 1/16W J	
B5301	NRSA63J-0R0X	MG RESISTOR	0Ω 1/16W J		W51	NRSA63J-0R0X	MG RESISTOR	0Ω 1/16W J	
B5303	NRSA63J-0R0X	MG RESISTOR	0Ω 1/16W J		WR6	QUB351-08Z4Z4	SIN TWIST WIRE		
B5393	NRSA63J-0R0X	MG RESISTOR	0Ω 1/16W J		X2	QAX0739-001	CRYSTAL	3.57MHz	
B6024	NRSA63J-0R0X	MG RESISTOR	0Ω 1/16W J		X3001	QAX0444-001	CRYSTAL	32.768kHz	
B6025	NRSA63J-0R0X	MG RESISTOR	0Ω 1/16W J		X3002	QAX0527-001	CRYSTAL	10.000000MHz	
B7501	NRSA63J-0R0X	MG RESISTOR	0Ω 1/16W J		X8201	QAX0246-001Z	C RESONATOR	8.00MHz	
B7502	NRSA63J-0R0X	MG RESISTOR	0Ω 1/16W J						
△ CD1	QMPD530-172-JD	POWER CORD(US/CA)	1.72m BLACK						
CN1	QGF1201C2-09	CONNECTOR	FFC/FPC (1-9)						
CN2001	QGF1207C1-06	CONNECTOR	FFC/FPC (1-6)						
CN2002	QGB2532J1-02	CONNECTOR	B-B (1-2)						
CN3001	QGB2032M4-12	CONNECTOR	B-B (1-12)						
CN3102	QGF1207C1-22	CONNECTOR	FFC/FPC (1-22)						
CN7103	QGF1207C1-10	CONNECTOR	FFC/FPC (1-10)						
CN7301	QGF1016C3-19	CONNECTOR	FFC/FPC (1-19)						
CN7302	QGF1016C3-17	CONNECTOR	FFC/FPC (1-17)						

DISPLAY BOARD ASSEMBLY <28>

△ Symbol No.	Part No.	Part Name	Description	Local
PW1	LPA10242-01B1	DISPLAY BOARD ASSY		

△ Symbol No.	Part No.	Part Name	Description	Local	△ Symbol No.	Part No.	Part Name	Description	Local
IC7002	GP1UM281XK	IR DETECT UNIT	38kHz		R7035	NRSA63J-472X	MG RESISTOR	4.7kΩ 1/16W J	
IC7002	or PNA4652M00XB	IR DETECT UNIT	38kHz		R7036	NRSA63J-472X	MG RESISTOR	4.7kΩ 1/16W J	
Q7001	2SA1037AK/QR/-X	TRANSISTOR			R7037	NRSA63J-472X	MG RESISTOR	4.7kΩ 1/16W J	
Q7001	or 2SB709A/QR/-X	TRANSISTOR			R7040	NRSA63J-0R0X	MG RESISTOR	0Ω 1/16W J	
Q7001	or 2SA1530A/QR/-X	SI TRANSISTOR			R7041	NRSA63J-331X	MG RESISTOR	330Ω 1/16W J	
Q7002	2SA1037AK/QR/-X	TRANSISTOR			CN7003	QGF1208F1-22	CONNECTOR	FFC/FPC (1-22)	
Q7002	or 2SB709A/QR/-X	TRANSISTOR			DI7001	LTG-0376M-J	LED		
Q7002	or 2SA1530A/QR/-X	SI TRANSISTOR			FW7002	QUM022-11A4BF	PARA RIBON WIRE		
Q7003	2SA1037AK/QR/-X	TRANSISTOR			S7001	QSW1061-001Z	TACT SWITCH	OPEN/CLOSE	
Q7003	or 2SB709A/QR/-X	TRANSISTOR			S7002	QSW1061-001Z	TACT SWITCH	PROGRESSIVE SCAN	
Q7003	or 2SA1530A/QR/-X	SI TRANSISTOR			S7003	QSW1061-001Z	TACT SWITCH	CH+	
Q7004	2SA1037AK/QR/-X	TRANSISTOR			S7004	QSW1061-001Z	TACT SWITCH	FF	
Q7004	or 2SB709A/QR/-X	TRANSISTOR			S7005	QSW1061-001Z	TACT SWITCH	REW	
Q7004	or 2SA1530A/QR/-X	SI TRANSISTOR			S7006	QSW1061-001Z	TACT SWITCH	REC	
Q7005	2SA1037AK/QR/-X	TRANSISTOR			S7010	QSW1061-001Z	TACT SWITCH	CH-	
Q7005	or 2SB709A/QR/-X	TRANSISTOR			S7013	QSW1061-001Z	TACT SWITCH	VCR/DVD	
Q7005	or 2SA1530A/QR/-X	SI TRANSISTOR			S7016	QSW1061-001Z	TACT SWITCH	PLAY	
Q7006	2SA1037AK/QR/-X	TRANSISTOR			S7017	QSW1061-001Z	TACT SWITCH	STOP	
Q7006	or 2SB709A/QR/-X	TRANSISTOR							
Q7006	or 2SA1530A/QR/-X	SI TRANSISTOR							
Q7007	2SA1037AK/QR/-X	TRANSISTOR							
Q7007	or 2SB709A/QR/-X	TRANSISTOR							
Q7007	or 2SA1530A/QR/-X	SI TRANSISTOR							
Q7008	2SC2412K/QRS/-X	TRANSISTOR							
Q7008	or 2SD601A/QRS/-X	TRANSISTOR							
Q7008	or 2SC3928A/QRS/-X	TRANSISTOR							
Q7009	2SC2412K/QRS/-X	TRANSISTOR							
Q7009	or 2SD601A/QRS/-X	TRANSISTOR							
Q7009	or 2SC3928A/QRS/-X	TRANSISTOR							
Q7010	2SC2412K/QRS/-X	TRANSISTOR							
Q7010	or 2SD601A/QRS/-X	TRANSISTOR							
Q7010	or 2SC3928A/QRS/-X	TRANSISTOR							
Q7011	2SC2412K/QRS/-X	TRANSISTOR							
Q7011	or 2SD601A/QRS/-X	TRANSISTOR							
Q7011	or 2SC3928A/QRS/-X	TRANSISTOR							
Q7012	2SC2412K/QRS/-X	TRANSISTOR							
Q7012	or 2SD601A/QRS/-X	TRANSISTOR							
Q7012	or 2SC3928A/QRS/-X	TRANSISTOR							
Q7013	2SC2412K/QRS/-X	TRANSISTOR							
Q7013	or 2SD601A/QRS/-X	TRANSISTOR							
Q7013	or 2SC3928A/QRS/-X	TRANSISTOR							
Q7014	2SC2412K/QRS/-X	TRANSISTOR							
Q7014	or 2SD601A/QRS/-X	TRANSISTOR							
Q7014	or 2SC3928A/QRS/-X	TRANSISTOR							
Q7015	DTC143EKA-X	DIGI TRANSISTOR							
Q7015	or UN221L-X	DIGI TRANSISTOR							
Q7016	DTC143EKA-X	DIGI TRANSISTOR							
Q7016	or UN221L-X	DIGI TRANSISTOR							
D7003	SLA-580BC3T3F	LED	ILLUM.						
D7003	or SDPB50A0/DEGH/	LED							
D7006	SLR-343MC-T	LED	DVD						
C7011	QEKJ0JM-476Z	E CAPACITOR	47uF 6.3V M						
R7001	NRSA63J-151X	MG RESISTOR	150Ω 1/16W J						
R7002	NRSA63J-151X	MG RESISTOR	150Ω 1/16W J						
R7003	NRSA63J-151X	MG RESISTOR	150Ω 1/16W J						
R7004	NRSA63J-151X	MG RESISTOR	150Ω 1/16W J						
R7005	NRSA63J-151X	MG RESISTOR	150Ω 1/16W J						
R7006	NRSA63J-151X	MG RESISTOR	150Ω 1/16W J						
R7007	NRSA63J-151X	MG RESISTOR	150Ω 1/16W J						
R7010	NRSA63J-103X	MG RESISTOR	10kΩ 1/16W J						
R7011	NRSA63J-122X	MG RESISTOR	1.2kΩ 1/16W J						
R7012	NRSA63J-182X	MG RESISTOR	1.8kΩ 1/16W J						
R7013	NRSA63J-222X	MG RESISTOR	2.2kΩ 1/16W J						
R7014	NRSA63J-272X	MG RESISTOR	2.7kΩ 1/16W J						
R7015	NRSA63J-472X	MG RESISTOR	4.7kΩ 1/16W J						
R7020	NRSA63J-103X	MG RESISTOR	10kΩ 1/16W J						
R7021	NRSA63J-122X	MG RESISTOR	1.2kΩ 1/16W J						
R7022	NRSA63J-182X	MG RESISTOR	1.8kΩ 1/16W J						
R7023	NRSA63J-222X	MG RESISTOR	2.2kΩ 1/16W J						
R7029	NRSA63J-470X	MG RESISTOR	47Ω 1/16W J						
R7031	NRSA63J-472X	MG RESISTOR	4.7kΩ 1/16W J						
R7032	NRSA63J-472X	MG RESISTOR	4.7kΩ 1/16W J						
R7033	NRSA63J-472X	MG RESISTOR	4.7kΩ 1/16W J						
R7034	NRSA63J-472X	MG RESISTOR	4.7kΩ 1/16W J						

JACK BOARD ASSEMBLY <36>									
△ Symbol No.	Part No.	Part Name	Description	Local	△ Symbol No.	Part No.	Part Name	Description	Local
PW1	LPA10242-01B2	JACK BOARD ASSY							
D7004	SLA-580BC3T3F	LED	ILLUM.						
D7004	or SDPB50A0/DEGH/	LED	ILLUM.						
D7005	SLR-343MC-T	LED	VHS						
R7025	NRSA63J-472X	MG RESISTOR	4.7kΩ 1/16W J						
R7028	NRSA63J-470X	MG RESISTOR	47Ω 1/16W J						
R7042	NRSA63J-331X	MG RESISTOR	330Ω 1/16W J						
R7191	NRSA63J-750X	MG RESISTOR	75Ω 1/16W J						
CN7001	QGD2503C1-02	CONNECTOR	(1-2)						
CN7191	QGF1201F2-10	CONNECTOR	FFC/FPC (1-10)						
J7191	QNN0591-002	PIN JACK	AV IN						
S7014	QSW1061-001Z	TACT SWITCH	POWER						
S7015	QSW1061-001Z	TACT SWITCH	EJECT						

DVD BRACKET ASSEMBLY <90>									
△ Symbol No.	Part No.	Part Name	Description	Local	△ Symbol No.	Part No.	Part Name	Description	Local
PW1	LPA10242-01B3	DVD BRACKET BOARD ASSY							